

ETX-2v

Open vCPE Platform



The ETX-2v is a new portfolio addressing all vCPE deployment needs. It is installed at the customer premises (either at headquarters or in remote branch sites) to support a wide range of business customers and user scenarios, from small offices to large sites, using a variety of bandwidth and processing power options. It also features flexible operation of virtualized network functions (VNFs), from offices running several VNFs locally or integrating all the virtual functions at the data center. In addition to the superior networking mechanisms, ETX-2v features a variety of pluggable modules for all access media, while a RAD-developed operating system, vCPE-OS, optimizes data plane efficiency and integration to third-party orchestrators and SDN controllers.



Virtualization
by RAD

Part of
RAD's Service Assured
Access Solutions



Your Network's Edge®

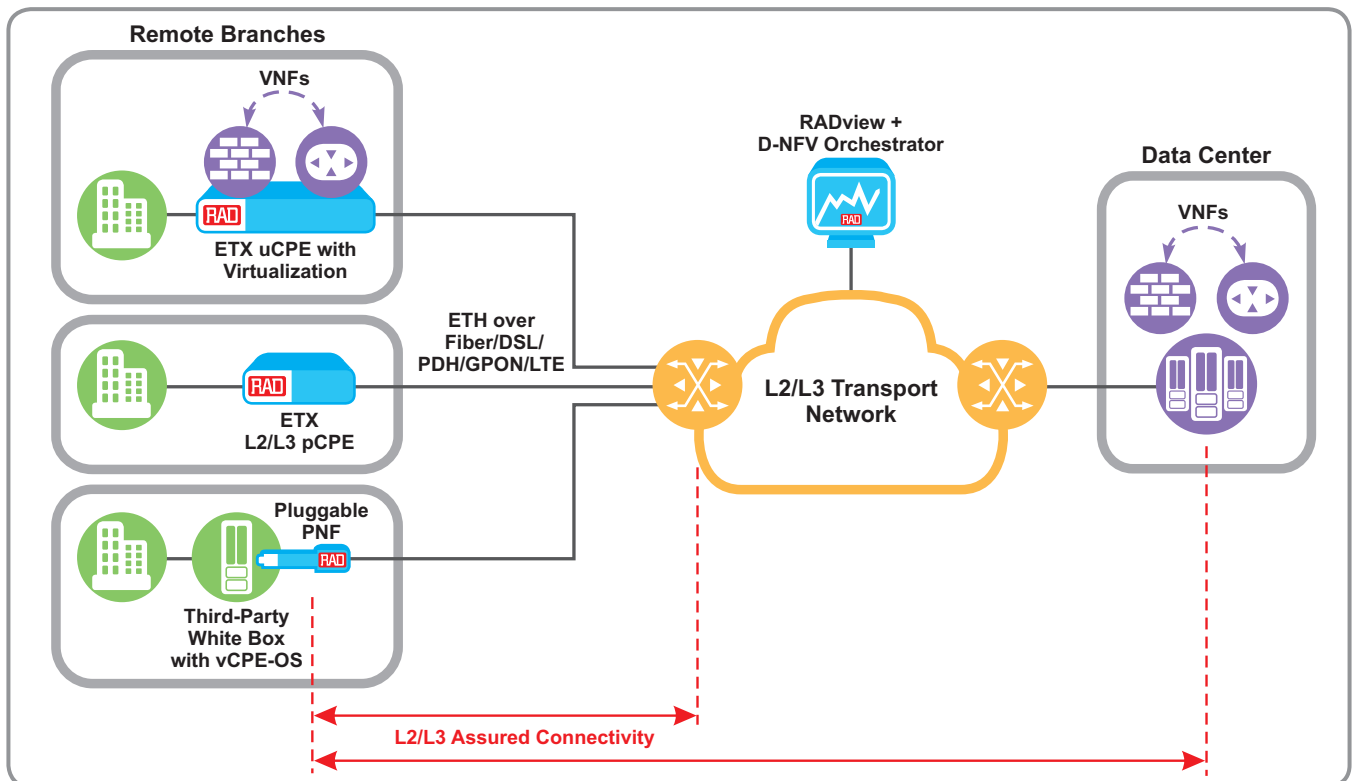
ETX-2v

Open vCPE Platform

Key Takeaways:

- White box pure compute platform
- Pay-as-you-grow flexibility allows operators to spin-up virtual managed services, from security to routing, SD-WAN to IT services, and much more
- Powerful, carrier-class operating system allows service providers to control all devices and functions
- Single hardware platform to optimize inventory
- RADview domain orchestration to deploy and chain VNFs

vCPE for Business Services



Quick Specs:

- Powerful x86 processor, hosting certified third-party VNFs (firewall, encryption, etc.)
- White box (pure compute platform) uCPE option
- Zero-touch and call-home provisioning
- Advanced routing capabilities, secure tunneling/VPN
- Comprehensive vCPE-OS operating system, including a management and security suite, compatible with third-party white box platforms
- Orchestration to deploy and chain VNFs, SDN support
- Supported infrastructure includes Ethernet, WiFi, LTE, DSL, GPON and TDM



ETX-2v vCPE Applications

The ETX-2v features an x86-based D-NFV module for hosting virtual functions (VFs) and applications. The D-NFV module runs on vCPE-OS, which includes standard KVM hypervisor and OpenStack compute node to support third-party applications. RADview D-NFV Orchestrator enables easy VF download. Supported applications include:

Router

Virtual router for hosted public clouds and branch CPE deployments

Cryptography

Standard AES 256-bit cipher encryption/decryption of L2-L4 traffic





Firewall

Unified threat management for provider-managed SMB services

PMC

Central generation of always-on performance monitoring over Layer 3 networks

Session Border Controller (SBC)

Manages VoIP signaling and media flows

Packet Analyzer

Troubleshooting-on-demand from the customer edge using a packet sniffer VF

WAN Optimization

Eliminates content duplication, handles compression and optimizes latency

Contact your local RAD distributor for additional/new application information



www.rad.com

Specifications are subject to change without prior notification. The RAD name, logo and logotype are registered trademarks of RAD Data Communications Ltd. RAD product names are trademarks of RAD Data Communications Ltd. ©2017 RAD Data Communications. All rights reserved. Catalog number 802665 Version 1/17